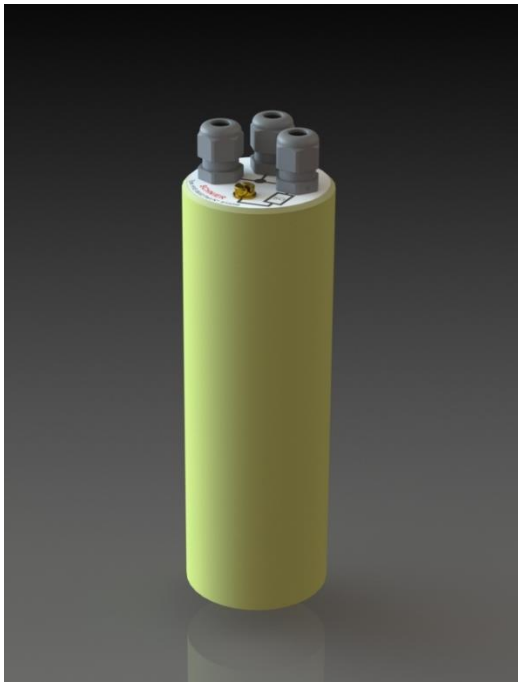


# Technical Datasheet

High Voltage Distributor Type HVE 06/02 Part.N°: 810298



## Technical Data:

Max. operating voltage:	100 kV DC* (* see note on safety)
Max. operating current:	10 mA
In-/Outputs:	3
Protective resistor:	-
Bleeder resistor:	2,5 GOhm +/- 10%
Dimensions L / Ø:	240 mm / 70 mm
Weight:	900 g
Protection class	IP 64
Type of construction:	Encapsulated
Ø HV-Connection tube:	11 mm appr. 195 mm depth
High voltage plugs:	4 mm socket

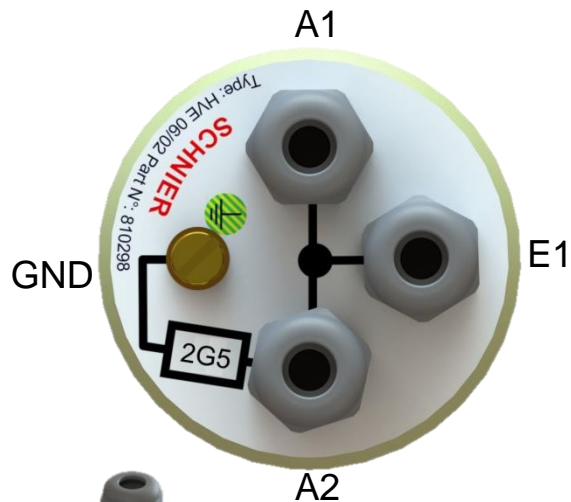
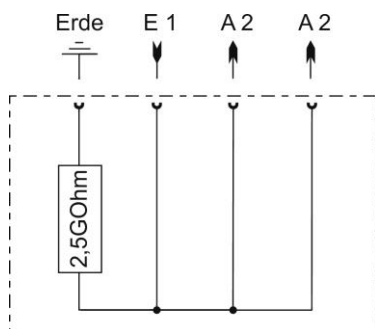
## Intended Use:

This High Voltage Distributor is dedicated for the use in stationary installations which comply with the safety requirements of at least one of these harmonized standards:

**EN 50176:2009,**  
**EN 50177:2009,**  
**EN 50223:2010 or**  
**EN 50348:2010**

## Note on safety:

The depth of the high voltage plugs is approximately 195 mm. according to the above standards, a minimum distance of 2.5 mm / kV is required. This means that above 75 kV measures to increase the insulation, such as insulating grease are required.



Matching mounting clamp:

Mount. Clamp  
HBT 03/01 64-72 o.E  
Part.N°: 200007